



**Shaanxi Gainhui Heavy Industries Co., Ltd.**  
Bearing Manufacturer And Supplier In China

## **BECAUSE WE ARE FOCUSED WE ARE PROFESSIONAL**

We are committed to providing competitive bearing products and OEM services to global customers.

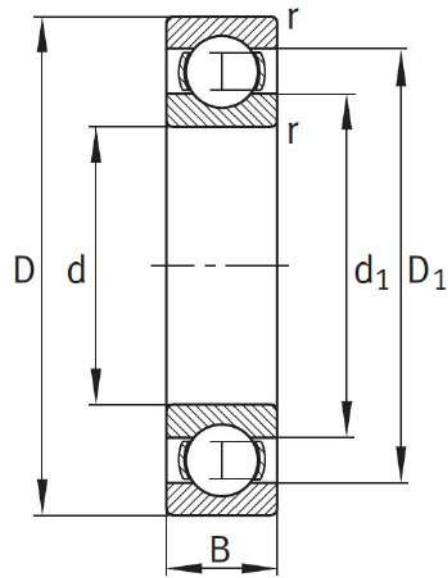


### **Hybrid Ceramic Ball Bearings**

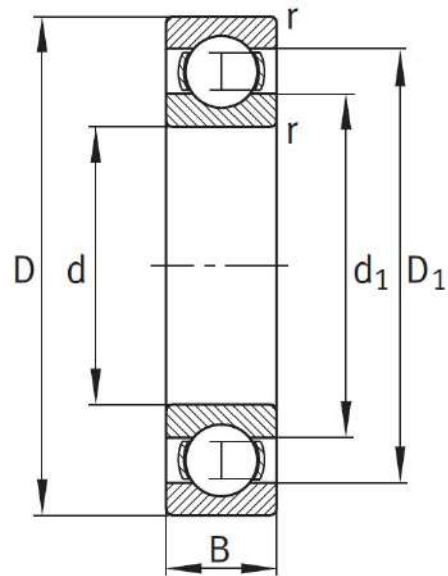


**Bearing Series:**  
6000 series





Bearing designation	Dimensions (mm)			Limiting speed	Mass
	d	D	B	nG	ZrO <sub>2</sub> /Si <sub>3</sub> N <sub>4</sub>
				min <sup>-1</sup>	≈kg
S603	3	9	3	72000	0.001
S604	4	12	4	51000	0.002
S605	5	14	5	46000	0.0035
S606	6	17	6	38000	0.006
S607	7	19	6	36000	0.008
S608	8	22	7	34000	0.012
S609	9	24	7	30000	0.014
S6000	10	26	8	28000	0.019
S6001	12	28	8	26000	0.021
S6002	15	32	9	24000	0.03
S6003	17	35	10	22000	0.039
S6004	20	42	12	19000	0.069
S6005	25	47	12	17000	0.08
S6006	30	55	13	15000	0.116
S6007	35	62	14	13000	0.151
S6008	40	68	15	11000	0.185
S6009	45	75	16	9000	0.231



Bearing designation	Dimensions (mm)			Limiting speed	Mass
	d	D	B	nG	ZrO <sub>2</sub> /Si <sub>3</sub> N <sub>4</sub>
				min <sup>-1</sup>	≈kg
S6010	50	80	16	7800	0.25
S6011	55	90	18	7000	0.362
S6012	60	95	18	6300	0.385
S6013	65	100	18	6000	0.41
S6014	70	110	20	5000	0.575
S6015	75	115	20	5300	0.603
S6016	80	125	22	5000	0.821
S6017	85	130	22	4500	0.848
S6018	90	140	24	4300	1.1
S6019	95	145	24	4000	1.15
S6020	100	150	24	3800	1.18
S6021	105	190	36	3600	1.52
S6022	110	170	28	3400	1.89
S6024	120	180	28	3000	1.99
S6026	130	200	33	2800	3.28
S6028	140	210	33	2400	3.17
S6030	150	225	35	3000	3.90



**Shaanxi Gainhui Heavy Industries Co., Ltd.**  
Bearing Manufacturer And Supplier In China

## BECAUSE WE ARE FOCUSED WE ARE PROFESSIONAL

We are committed to providing competitive bearing products and OEM services to global customers.



Founded in 2009, Shaanxi Gainhui Heavy Industries Co., Ltd. covers an area of 16,000 square meters, which is a professional bearing manufacturer and distributor in China. The company is committed to the design, manufacture and service of precision bearings, focusing on providing customers with reliable bearing products and cost-effective technical solutions.

The company adopts advanced production equipment and testing equipment, is equipped with a professional quality testing department, formulates a complete quality management system, and specializes in the production of high-precision, low-noise, and long-life bearings. Shaanxi Gainhui Heavy Industries Co., Ltd. insists on quality as the core, innovation as the driving force, promotes development through service, and sincerely provides services to customers all over the world.



### Contact us:

Website: [www.ghbearings.com](http://www.ghbearings.com)

Tel: +86-029-88692376

Mob/WhatsApp: +86-18710850036

Skype: tina.li72

E-mail: [info@ghbearings.com](mailto:info@ghbearings.com)

Add: NO.196, Changan South Road, Xi'an City, Shaanxi Province, China

